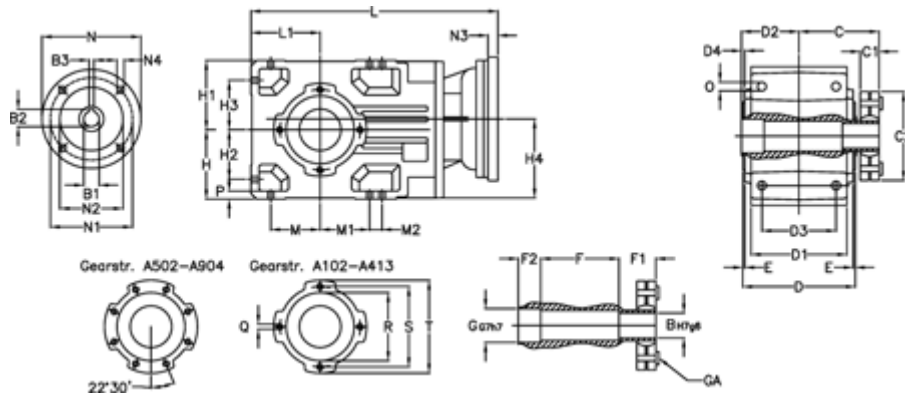


# Data Sheet



Article number: 29600201625235  
 Description: Bevel helical gearbox  
 A202US-16,2-P90B5

## Measures



B = 30	D1 = 110	F2 = 36	L = 325.5	N3 = -
B1 = 24	D2 = 60	G = 32	L1 = 80	N4 = M10x12
B2 = 27.3	D3 = 90	GA = 14,5 NM	M = 60.0	O = 9.5
B3 = 8	d4 = 4.5	H = 80	M1 = 60.0	P = 9
C = 89.5	Description = A202US-xx-P90 B5	H1 = 80	M2 = -	Q = M8x15
C1 = 23	E = 3.0	H2 = 60.0	N = 200	R = 95
C2 = 72.0	F = 77.5	H3 = 60.0	N1 = 165	S = 115
D = 136	F1 = 36.0	H4 = 93.0	N2 = 130	T = 140